

Under-Counter Ice Maker

E15IM60GSS designer series



Crystal-Clear Ice

Continuous flowing water where ice is formed, allows impurities to be separated from the water leaving ice free of odors, minerals and contaminants. Thirty-two, 7/8" cubes of crystal-clear ice are produced per freeze cycle, up to sixty pounds per day.



Digitally Controlled

Simple-to-use digital controls for consistent ice production throughout the day or night. Displays Fahrenheit and Celsius.



Thirty-Pound Storage Capacity

The large capacity storage bin holds up to thirty pounds of restaurant-quality ice cubes.



Frost-Free Performance

The Electrolux ICON® Ice Maker is completely frost free. So you'll never have to defrost.

15" UNDER-COUNTER ICE MAKER

FEATURES

Daily Ice Production	Up to 60 Lbs.
Ice Cube Type	Clear
Ice Cube Size	7/8"
Ice Cubes Produced per Cycle	32
Frost-Free Performance	Yes
3-Step Cleaning Process	Yes
Self-Cleaning of Mineral Deposits	Yes
Commercial Grade Heavy-Duty Circulation Pump	Yes
UltraQuiet Plus™ Sound Insulation Package	Yes
Field-Reversible Door	Yes
Self-Closing Door Mechanism	Yes
Adjustable Leveling Legs	Yes
Electronic Control with Blue LED Display	Yes
Power On/Off Switch	Yes

ACCESSORIES

Ice Scoop	Included
Cleaning Kit – PN# EIM41978	Optional
Drain Pump Kit – PN# EIMP60 (to be used if gravity-assisted drain is not available)	Optional

ADDITIONAL FEATURES

Sabbath Mode (Star-K® Certified)	Yes
----------------------------------	-----

SPECIFICATIONS

Overall Dimensions –	
Height	34-1/8" – 35-1/8"
Width	14-15/16"
Depth (Including Handle) (with 90° Door Open)	25-7/8" 38-1/4"
Power Cord Location	Left Bottom Rear
Water Inlet Location	Left Bottom Rear
Gravity Assisted Drain	Required
Voltage Rating	120V/60Hz/15A
Connected Load (kW Rating) @ 120 Volts [†]	0.48
Approved for Under-Counter Installation	Yes
Shipping Weight (Approx.)	109 Lbs.

[†]For use on adequately wired 120V, dedicated circuit having 2-wire service with a separate ground wire. Appliance must be grounded for safe operation.

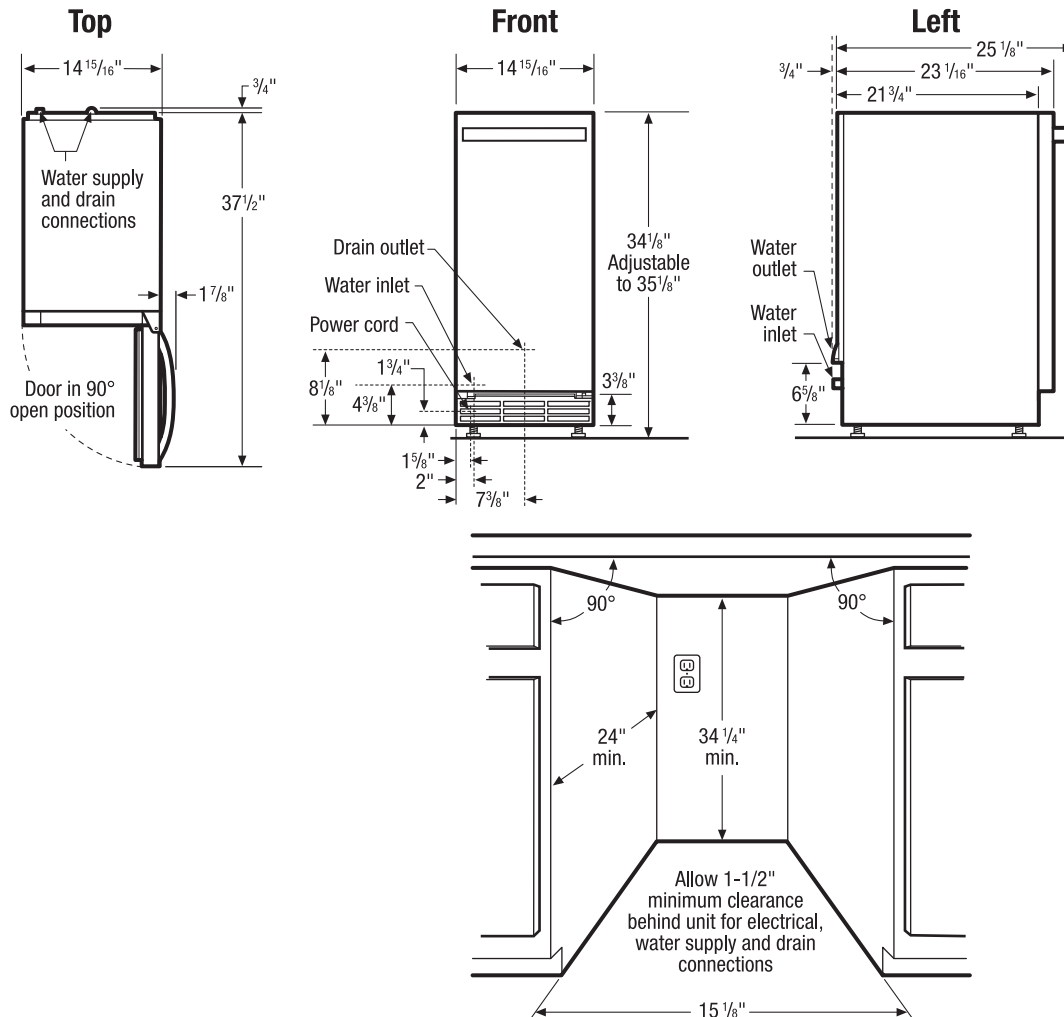
NOTE: Always consult local and national electric and plumbing codes. Refer to Product Installation Guide for detailed installation instructions on the web at electroluxicon.com.

Specifications subject to change.

Under-Counter Ice Maker

E15IM60GSS designer series

Electrolux | ICON®



Under-Counter Ice Maker Specifications

- Product Weight – 100 Lbs.
- Voltage Rating – 120V/60 Hz/15 Amps
- Connected Load (kW Rating) @ 120 Volts = 0.48kW (For use on adequately wired 120V, dedicated circuit having 2-wire service with a separate ground wire. Appliance must be grounded for safe operation.)
- Run Amps @ 120 Volts=4.0 Amps/Harvest Amps @ 120 Volts=5.5 Amps
- Electrical cable supplied.
- Water supply and electrical power source required.
- Always consult local and national electric & plumbing codes.
- Unit is designed for either freestanding or built-in, under-counter installation.
- Built-in, under-counter installation does not require additional airspace for top, sides or rear of unit.
- Allow 1-1/2" minimum clearance behind unit for electrical, water supply and drain connections.
- Front grille MUST remain unobstructed for proper ventilation.
- Can be installed using gravity drain or optional Drain Pump Kit (PN# EIMP60).
- Drain lines must have 5/8" inside diameter, 1" drop per 48" (1/4" per foot) of run and must not create traps.
- Floor drain must be large enough to accommodate drainage from all drains.
- Recommended water pressure between 30 and 120 pounds per square inch (psi).
- Unit MUST be level for proper operation, and positioned on flat surface, capable of supporting entire weight when fully loaded.
- Leveling legs supplied to adjust height and level unit.
- Can be installed outdoors, out of direct sunlight. Do NOT install behind closed doors.
- Do not position unit near any heat source or in direct sunlight to ensure optimum performance. Surrounding air temperature must be at least 50°F but must not exceed 110°F.
- Unit requires zero clearance when installing flush with cabinet or wall.
- When installing against cabinet or wall that extends beyond front edge of unit, 2-7/8" minimum handle clearance required to allow for 90° door swing, providing sufficient interior access. (Door is field reversible for right- or left-hand opening.)

Note: For planning purposes only. Refer to Product Installation Guide on the web at electroluxicon.com for detailed instructions.

Optional Accessories

- Drain Pump Kit – (PN# EIMP60).
- Cleaning Kit – (PN# EIM41978).

Electrolux Major Appliances, N.A.

USA • 10200 David Taylor Drive • Charlotte, NC 28262 • 1-877-4electrolux (1-877-435-3287) • electroluxicon.com
 CANADA • 5855 Terry Fox Way • Mississauga, ON L5V 3E4 • 1-800-265-8352 • electroluxicon.ca

