

# Under-Counter Refrigerator Drawers

E24RD75HPS professional series



### Precision Set™ Electronic Controls

These integrated electronic controls offer precise temperature control and their top-of-drawer location makes them easy to program.



### Smooth-Glide™ Drawers

Fully extending drawers glide out easily and smoothly, providing simple and convenient access to every item.



### Roomy Storage

Offering the largest storage space available in drawer-style refrigeration. Each drawer is tall enough to store a two-liter bottle and wide enough to hold items such as serving trays and pizza boxes.



### Condiment Tray & Beverage Shelf

The covered condiment tray lifts out as a whole and also has four removable compartments for extra storage. In addition, the beverage shelf offers added storage and organization for glass bottles or cans.

## UNDER-COUNTER REFRIGERATOR DRAWERS

Capacity	6.0 Cu. Ft.
Configuration	2 Drawers
Installation Type	Built In

### FEATURES

Precision Set™ Electronic Controls	Yes
Fully Integrated Control Panel	Yes
Blue LED Display	Yes
Smooth-Glide™ Full-Extension Self-Closing Drawers	Yes
Theatre Lighting	Yes
PureAdvantage® Air Filtration	Yes
Electronic Control Lock	Yes
Display Temp Mode (°C or °F)	Yes
Door Ajar Acoustic Alarm	Yes
High-Temperature Acoustic Alarm	Yes
Power Failure Acoustic Alarm	Yes
Mute Sound Control	Yes
Power-On/Off Control	Yes
Vacation Mode	Yes
Sabbath Mode (Star-K® Certified)	Yes
Holds 12" Bottle (Upper and Lower Drawer)	Yes
Storage Shelf (Lower Drawer)	Yes
Frost-Free Performance	Yes
Dynamic Condenser	Yes

### ADDITIONAL FEATURES

Professional Series Drawer and Handle Design	Yes
Adjustable Leveling Legs	4
ENERGY STAR®	Yes
A.D.A. Compliant*	Yes

### ACCESSORIES

Condiment Tray – PN# 241965501	Included
Beverage Shelf – PN# 241997401	Included
PureAdvantage® Replacement Air Filter – PN# EAFCBF	Included

### SPECIFICATIONS

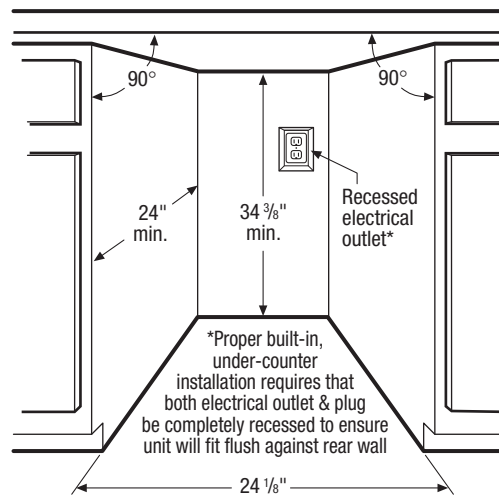
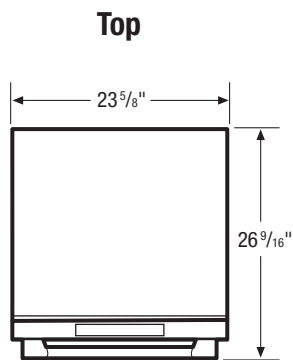
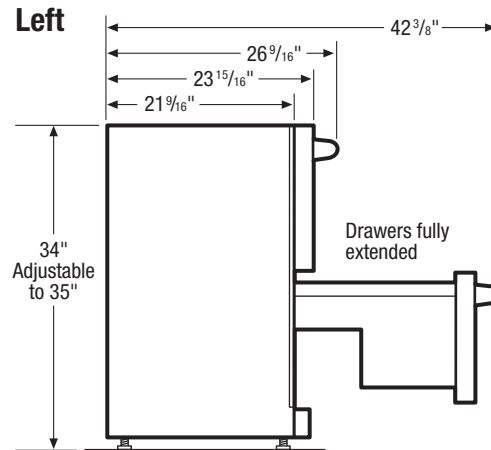
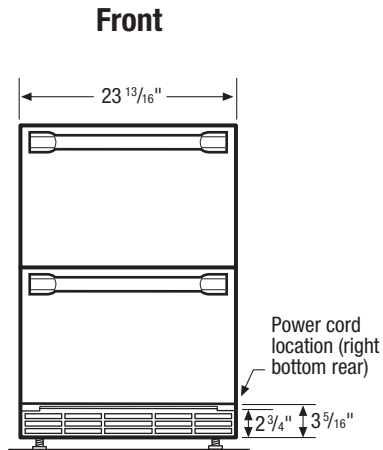
Cavity Dimensions –	
Height (Upper Drawer)	12-3/64"
Height (Lower Drawer)	12-3/16"
Width	18-1/16"
Depth	18-9/32"
Overall Exterior Dimensions –	
Height	34" – 35"
Width	23-13/16"
Depth (To handle)	26-9/16"
Depth (Fully Extended Including Handle)	42-3/8"
Temperature Range	34° F-45° F
Electrical Cable	Yes
Power Supply Connection Location	Right Bottom Rear
Voltage Rating	120V/60Hz/15A
Connected Load (kW Rating) @ 120 Volts‡	0.16
Minimum Circuit Required (Amps)	15
Shipping Weight (Approx.)	156 Lbs.

\*When properly installed, meets the appliance standards in the Americans with Disabilities Act and the Architectural Barriers Act Accessibility Guidelines as published by the United States Access Board on June 23, 2004, as amended August 5, 2005.

‡For use on adequately wired 120V, dedicated circuit having 2-wire service with a separate ground wire. Appliance must be grounded for safe operation.

NOTE: Always consult local and national electric codes. Refer to Product Installation Guide for detailed installation instructions on the web at [electroluxicon.com](http://electroluxicon.com).

Specifications subject to change.



## Under-Counter Refrigerator Drawers Specifications

- Product Weight – 146 Lbs.
- Voltage Rating – 120V/60 Hz/15 Amps
- Connected Load (kW Rating) @ 120 Volts = 0.16kW (For use on adequately wired 120V, dedicated circuit having 2-wire service with a separate ground wire. Appliance must be grounded for safe operation.)
- Amps @ 120 Volts = 1.5 Amps
- Electrical cable supplied.
- Always consult local and national electric codes.
- Unit is designed for built-in, under-counter installation only with use of Anti-Tip Kit and can NOT be used in freestanding installation.
- Built-in, under-counter installation does not require additional airspace for top, sides or rear of unit.
- Proper built-in, under-counter installation requires that both electrical outlet and plug be completely recessed to ensure unit will fit flush against rear wall.

- To allow for ease of installation and removal, it is recommended that cabinet rough opening dimensions be increased by at least 1/4" over product's dimensions.
- For proper ventilation, unit can NOT be installed behind closed doors; front grille MUST remain unobstructed.
- Must be positioned on flat, level surface, capable of supporting entire weight when fully loaded.
- Leveling legs supplied to adjust height and level unit.
- Do not position unit near any heat source to ensure optimum performance.
- Allow 17" minimum for handle clearance with drawers fully extended.

**Note:** For planning purposes only. Refer to Product Installation Guide on the web at [electroluxicon.com](http://electroluxicon.com) for detailed instructions.

## Electrolux Major Appliances, N.A.

USA • 250 Bobby Jones Expressway • Augusta, GA 30907 • 1-877-4electrolux (1-877-435-3287) • [electroluxicon.com](http://electroluxicon.com)  
 CANADA • 5855 Terry Fox Way • Mississauga, ON L5V 3E4 • 1-800-265-8352 • [electroluxicon.ca](http://electroluxicon.ca)