

Built-In Dishwasher

EDW7505HSS designer series



Shown with custom door panel and handle installed (not included).



Fully Integrated Control Panel

Control panel is located at the top of the dishwasher door, keeping the exterior uncluttered. Controls and digital display are intuitive and easy to use.



UltraQuiet Plus™ Sound Insulation Package

The dishwasher is wrapped in dense insulation that envelops the sides, top and toe kick, then enclosed in a steel shroud which reduces sound to a whisper.



Versatile Racking System

Designed for maximum capacity and flexibility, the tall-tub design features a versatile racking system including adjustable tines and stemware holders. There is also an adjustable/removable top rack for the utmost flexibility when washing large items.



Stainless Steel Interior and Exterior

A stylish exterior and stainless steel interior gives your kitchen a modern look.

BUILT-IN DISHWASHER

FEATURES

Stainless Steel Interior	Yes
Stay-In-Place Door Design	Yes
Electronic Controls	Yes
Fully Integrated Control Panel	Yes
Easy-Clean Pushbuttons	9
LED Indicator Lights	Yes
Tall Tub Design	Yes
Smart Soil Sensor	Yes
UltraQuiet Plus™ Sound Insulation Package	Yes
Wash Levels	5
Direct Feed Wash System	Yes
Power Dry System	Yes
Adjustable Rinse Aid Dispenser with Indicator	Yes
Panel Ready*	Yes
ENERGY STAR®	Yes

CYCLES

Auto Wash	Yes
Normal	Yes
Eco Wash	Yes
Perfect Stemware™	Yes
Cookware	Yes

OPTIONS

Air Dry	Yes
NSF® Certified Sanitize Option	Yes
Delay Start	1-24 Hours

RACK SYSTEM

Nylon Rack System	Yes
Upper Rack –	Smooth-Glide™
Adjustable Height	Yes
Cup Clips	4
Cup Shelf/Stemware Holder	2
Fold-Down Tines	4 Rows
Rack Handle	Yes
Versa-Tray™	Yes
Lower Rack –	Smooth-Glide™
Fold-Down Tines	6 Rows
Knife Holder	Yes
Utility Tray/Shelf	Yes
Stemware/Champagne Glass Holders	4
Silverware Basket	4-Piece Split
Special Items Cover/Mesh Small Items Bag	Yes

SPECIFICATIONS

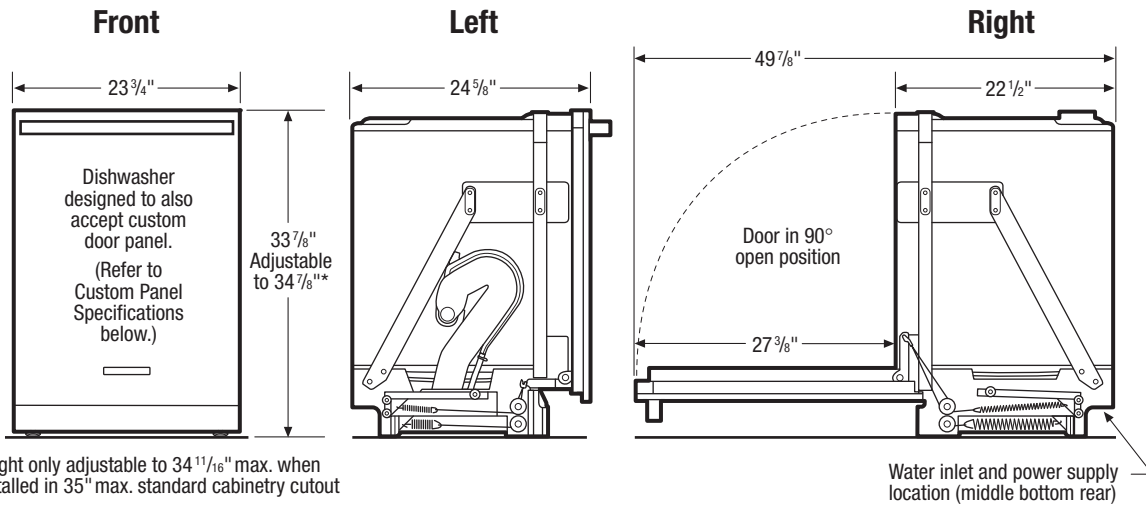
Overall Exterior Dimensions –	
Height (Adjustable)	33-7/8" – 34-7/8"
Width	23-3/4"
Depth (Including Door)	24-5/8"
(with 90° Door Open)	49-7/8"
Power Supply/Water Inlet Location	Middle Bottom Rear
Leveling Legs	Yes
Water Usage (Gallons) – Normal Cycle	4.9 – 8.5
Water Pressure (PSI)	15 – 120
Voltage Rating	120V/60Hz/15A
Connected Load (kW Rating) @ 120 Volts†	1.44
Amps @ 120 Volts	9
Shipping Weight (Approx.)	115 Lbs.

* Dishwasher designed to also accept custom door panel to match with custom cabinetry. (Refer to Custom Panel Specifications.)

† For use on adequately wired 120V, dedicated circuit having 2-wire service with a separate ground wire. Appliance must be grounded for safe operation.

NOTE: Always consult local and/or national electric and plumbing codes. Refer to Product Installation Guide for detailed installation instructions on the web at electroluxicon.com.

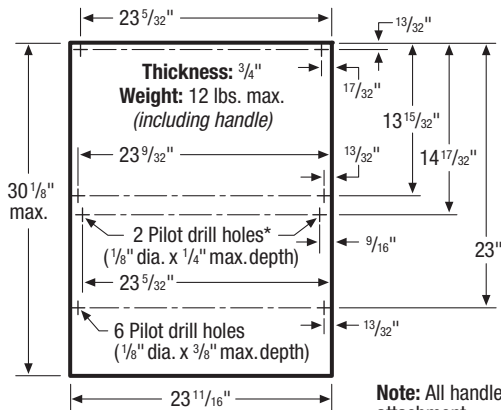
Specifications subject to change.



*Height only adjustable to 34^{11/16}" max. when installed in 35" max. standard cabinetry cutout

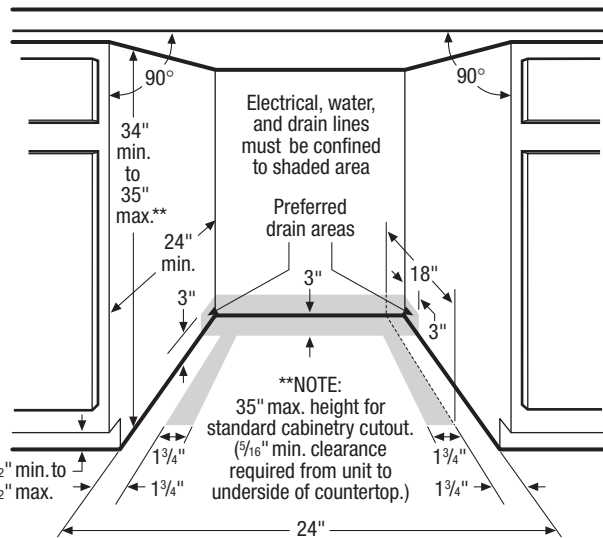
Custom Panel Specifications

Refer to web for detailed door panel construction and installation instructions.



*Optional holes for adding 1/2" - #7 screws which slip into rectangular openings of metal panel to help locate custom door panel for other outside screw attachment

Note: All handle attachment screws must be flush/recessed below panel surface.



Built-In Dishwasher Specifications

- Product Weight – 93 Lbs.
- Voltage Rating @ 120V/60 Hz/15 Amps
- Connected Load (kW Rating) @ 120 Volts = 1.44kW
(For use on adequately wired 120V, dedicated circuit having 2-wire service with a separate ground wire. Appliance must be grounded for safe operation.)
- Amps @ 120V = 9 Amps
- Always consult local and/or national electric & plumbing codes.
- Water Pressure – Hot water line to dishwasher must provide between 15 and 120 pounds per square inch (psi).
- Make sure location has right drain, water and electrical outlets to make connections.
- Keep back free of drain, water & electrical supply.
- Electrical and water supplies should enter cabinet opening on floor, or through back or side walls, as shown in shaded areas.
- Connections preferably located toward left side of dishwasher. Do not cross drain, water or electrical lines in front of motor, blower or frame.
- Minimum clearance of 5/16" required from unit to underside of countertop.

- Leveling legs supplied to adjust height. (Note: Height only adjustable to 34-11/16" max. when installed in 35" max. standard cabinetry cutout to allow for 5/16" min. clearance.)
- When installing adjacent to wall, cabinet or other obstruction that extends beyond front edge of unit, allow 2" minimum clearance between opened door and obstruction.
- When installing at end of cabinet line, sides must be fully enclosed.
- Do not install unit under a cooktop, damage may occur.
- Dishwasher designed to also accept custom door panel to match with custom cabinetry. (Refer to Custom Panel Specifications on this page.)

Custom Panel Specifications

- Panel Dimensions – 30-1/8"H max. x 23-11/16"W x 3/4"D
- Panel Weight – 12 Lbs. max (including handle)
- Refer to web for detailed custom panel construction and installation instructions.

Note: For planning purposes only. Refer to Product Installation Guide on the web at electroluxicon.com for detailed instructions.