

Over-the-Range Microwave

E30MH65GPS professional series



Automatic Cooking Options

Pre-programmed settings give you the versatility to combine both microwave cooking and convection heat.



One-Touch Options

One-Touch options include Reheat, Add 30 Seconds, Popcorn and Defrost.



Auto Sensor Cooking

Five Sensor Cook options and three Sensor One Touch options automatically adjust the cooking time and power level needed to cook your food—so your food will turn out just the way you want it.



Convection Cooking

Circulates hot air through your microwave to cook foods evenly.

30" OVER-THE-RANGE MICROWAVE

Oven Cavity	1.6 Cu. Ft.
Watts	950
Oven Interior	Stainless Steel
Interior Light	Yes
Cooktop Light w/Touch Control	Yes
Glass Turntable Diameter	13-9/16"

PANEL FEATURES

Electronic Clock & Timer	Yes
2-Line Scroll Cooking Display	Yes
Lock	Yes
Demo Mode	Yes
More/Less Function	9/1
Start/Enter	Yes
Stop/Clear	Yes
Stoppable Turntable	Yes
On/Off Sound Control	Yes
Scroll Speed	Yes
End of Cooking Stage Signal	Yes
Daylight Savings Time	Yes
Power Levels	10
Touch Pad Controls	35
Convenience Options –	
Help Directory	Yes
Sensor Cook Categories	5
Sensor One Touch Categories – Baked Potato, Pizza Slice, Popcorn	3
Sensor Reheat Categories	3
Snack Categories	4
Auto Cook Categories	5
Auto Defrost Categories	5
Melt/Soften/Warm Options	Yes
Add 30 Seconds	Yes
Convection Cook (Variable Temperature)	100°– 450°F
Microwave Convection Categories	4
Combination Cook	Yes
Stage Cooking (Cook I & II)	Yes

VENTILATION SYSTEM

Exhaust Duct	Convertible*
5-Speed Exhaust Fan (300 CFM)	Yes
On/Off	Yes
Delay Off	Yes
Auto On - High Speed (2 Level)	Yes
Charcoal Filters (Recirculated Installation) / Grease Filters	1 / 2

POWER RATINGS

Microwave – (Watts @ 120 Volts)	950
Convection – (Watts @ 120 Volts)	1600
Amps @ 120 Volts	14.5
Frequency (Mhz)	2450
Voltage Rating	120V / 60Hz / 20A
Connected Load (kW Rating) @ 120 Volts†	1.6

ACCESSORIES

Two-Position Adjustable Rack	Included
36" Filler Panel Kit – PN# MWFILKTSS	Optional

SPECIFICATIONS

Oven Cavity Dimensions–	
Height	10-1/4"
Width	20"
Depth	13-11/16"
Overall Exterior Dimensions –	
Height (Including 1/2" Lower Extrusion)	16-7/8"
Width	29-7/8"
Depth	16-1/8"
Power Cord Location	Right Top Rear
Shipping Weight (Approx.)	84 Lbs.

* Ventilation is convertible to be either ducted outside, or recirculated inside requiring no ducting.

† For use on adequately wired 120V, dedicated circuit having 2-wire service with a separate ground wire. Appliance must be grounded for safe operation.

NOTE: Always consult local and national electric codes. Refer to Product Installation Guide for detailed installation instructions on the web at electroluxicon.com.

Specifications subject to change.

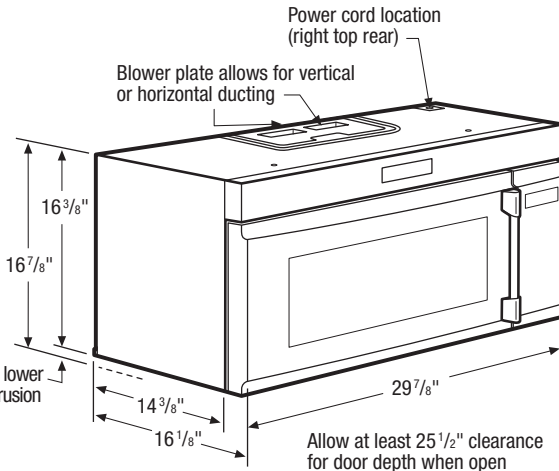
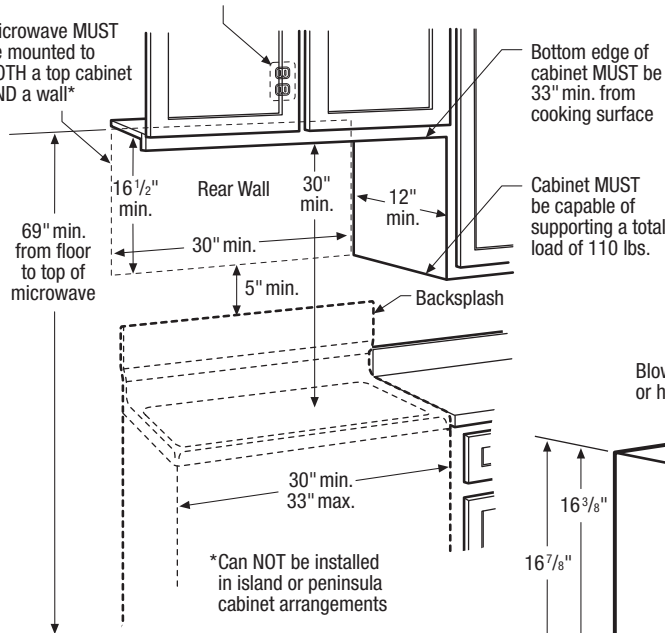
Over-the-Range Microwave

E30MH65GPS professional series

Electrolux | ICON®

Locate 120V/60Hz grounded outlet inside upper cabinet

Microwave MUST be mounted to BOTH a top cabinet AND a wall*



30" Over-the-Range Microwave Specifications

- Product Weight – 75 Lbs.
- Voltage Rating – 120V/60Hz/20 Amp
- Connected Load (kW Rating) @ 120 Volts = 1.6kW (For use on adequately wired 120V, dedicated circuit having 2-wire service with a separate ground wire. Appliance must be grounded for safe operation.)
- Amps @ 120 Volts = 14.5 Amps
- Always consult local and national electric codes.
- Grounded outlet should be located in cabinet above, with hole in base to route power cord. Carefully follow top template instructions for power cord clearance when installing beneath smooth, flat cabinets.
- Microwave's ventilation system is preset to recirculate air inside with no ducting system required. Exhausting air outside is optional, using either vertical or horizontal ducting system. (Refer to Ducted Option Specifications for outside ventilation.)
- For safe and proper installation, microwave MUST be mounted to BOTH a top cabinet AND a wall, and connected to at least one wall stud. Can NOT be installed in island or peninsula cabinet arrangements.
- Cabinet bottom MUST be level to insure proper installation.
- Cabinet MUST be capable of supporting a total load of 110 lbs.
- Filler blocks recommended for installation when cabinet front hangs below recessed bottom shelf.
- Minimum distance of 33" required from cooking surface to bottom edge of top cabinet.
- Minimum distance of 69" required from floor to top of microwave.
- Opening between cabinets MUST be 30" wide and free of obstructions.
- Can only be installed over ranges or cooktops with 33" maximum width.
- Allow 25-1/2" minimum clearance for 90° door swing.

Ducted Option Specifications

- For outside ventilation.
- Exhaust duct adapter supplied assembled for outside ventilation, designed to mate with standard 3-1/4" x 10" rectangular duct. If round duct required, rectangular-to-round transition adapter will be needed with no less than 6" diameter.
- For most efficient airflow exhaust, use a straight run or as few elbows as possible with maximum duct length of 3-1/4" x 10" rectangular or 6" diameter round duct, not to exceed 140 equivalent feet.
- For horizontal installation, be sure to allow enough space between wall studs to accommodate exhaust.
- Refer to installation instructions on web for detailed duct preparation and converting exhaust vent blower system for exterior exhaust ventilation.

Note: For planning purposes only. Refer to Product Installation Guide on the web at electroluxicon.com for detailed instructions.

Optional Accessories

- 36" Filler Panel Kit – (PN# MWFILKTSS).

Electrolux Major Appliances, N.A.

USA • 10200 David Taylor Drive • Charlotte, NC 28262 • 1-877-4electrolux (1-877-435-3287) • electroluxicon.com
 CANADA • 5855 Terry Fox Way • Mississauga, ON L5V 3E4 • 1-800-265-8352 • electroluxicon.ca

E30MH65GPS 08/11

© 2011 Electrolux Home Products, Inc.

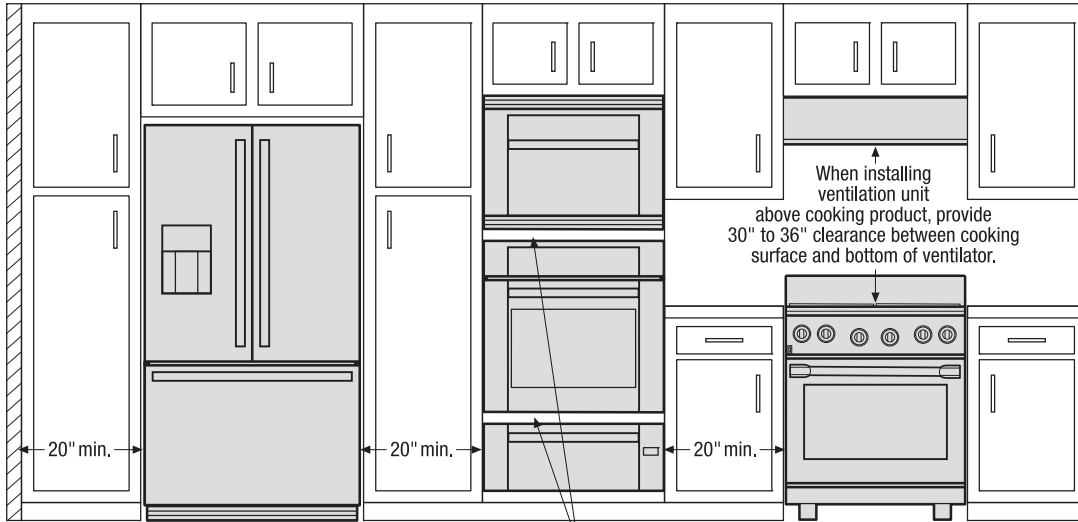


High standards of quality at Electrolux Home Products, Inc. mean we are constantly working to improve our products. We reserve the right to change specifications or discontinue models without notice.

Printed in the U.S.A.

Use these dimensions and clearance instructions for planning purposes only. For detailed installation instructions, refer to installation guide, packed with product, or on the web at electroluxicon.com.

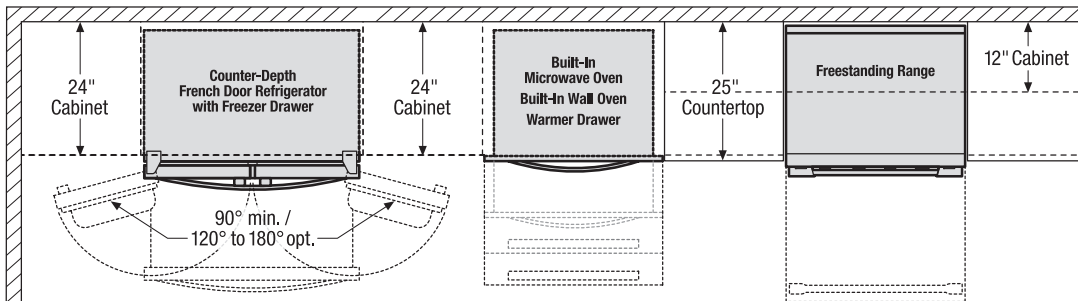
Front



When installing appliances adjacent to each other, 20" minimum distance between each appliance required.

When installing built-in cooking appliances in combination, 2" minimum visible gap between appliance faceplates required.

Top

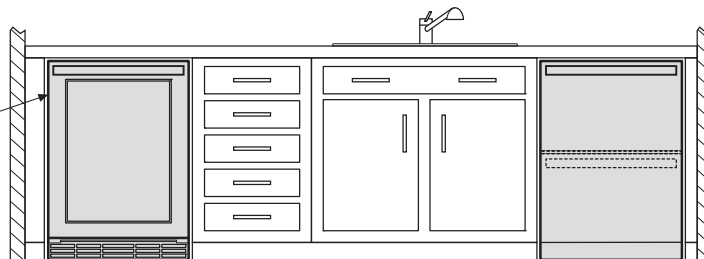


When installing refrigerator adjacent to wall, cabinet or another appliance that extends beyond front edge of unit, 20" minimum clearance recommended to allow for optimum 120° to 180° door swing, providing complete drawer/crisper access and removal.

When installing appliance with sliding drawer or drop-down door directly across from obstructions, provide sufficient clearance for drawer extension or door swing.

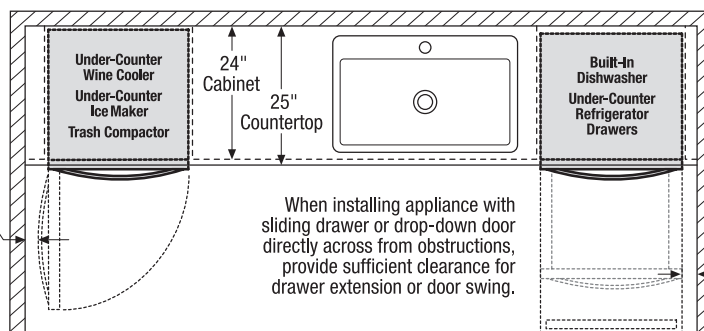
Front

To ensure optimum performance, avoid installing refrigeration appliances in direct sunlight or near heat source.



Top

When installing appliance with side-swing door adjacent to wall, cabinet, or other obstruction that extends beyond front edge of appliance, door swing and handle clearance must be sufficient to allow access to appliance interior.



When installing appliance with sliding drawer or drop-down door directly across from obstructions, provide sufficient clearance for drawer extension or door swing.

When installing appliance with sliding drawer or drop-down door adjacent to wall, cabinet, or other obstruction that extends beyond front edge of appliance, allow 2" minimum clearance between drawer or door and obstruction.

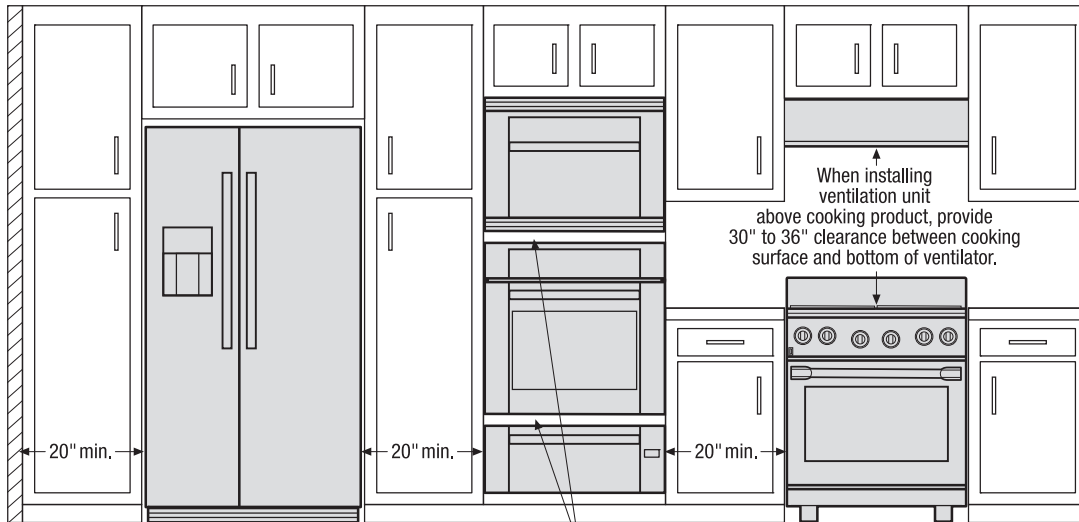
Electrolux Major Appliances, N.A.

USA • 10200 David Taylor Drive • Charlotte, NC 28262 • 1-877-4electrolux (1-877-435-3287) • electroluxicon.com
CANADA • 5855 Terry Fox Way • Mississauga, ON L5V 3E4 • 1-800-265-8352 • electroluxicon.ca

High standards of quality at Electrolux Home Products, Inc. mean we are constantly working to improve our products. We reserve the right to change specifications or discontinue models without notice.

Use these dimensions and clearance instructions for planning purposes only. For detailed installation instructions, refer to installation guide, packed with product, or on the web at electroluxicon.com.

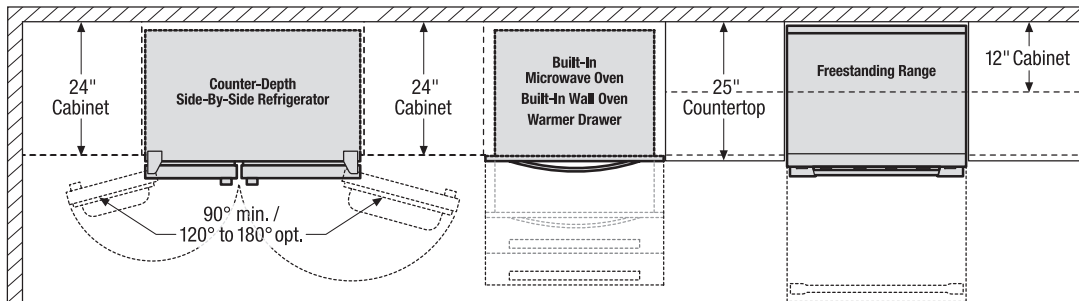
Front



When installing appliances adjacent to each other, 20" minimum distance between each appliance required.

When installing built-in cooking appliances in combination, 2" minimum visible gap between appliance faceplates required.

Top

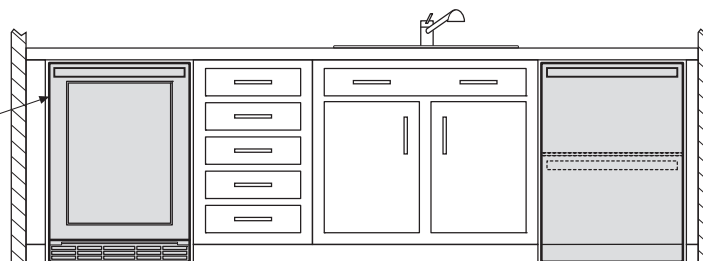


When installing refrigerator adjacent to wall, cabinet or another appliance that extends beyond front edge of unit, 20" minimum clearance recommended to allow for optimum 120° to 180° door swing, providing complete drawer/crisper access and removal.

When installing appliance with sliding drawer or drop-down door directly across from obstructions, provide sufficient clearance for drawer extension or door swing.

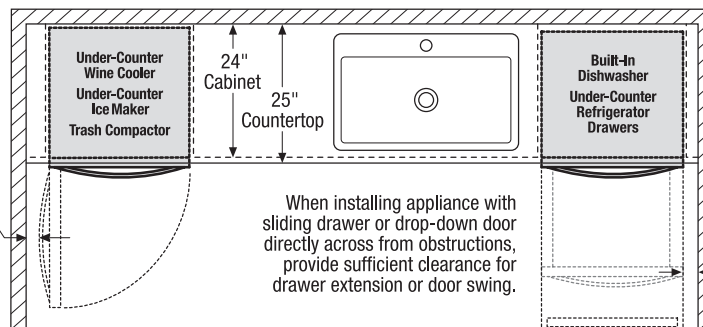
Front

To ensure optimum performance, avoid installing refrigeration appliances in direct sunlight or near heat source.



Top

When installing appliance with side-swing door adjacent to wall, cabinet, or other obstruction that extends beyond front edge of appliance, door swing and handle clearance must be sufficient to allow access to appliance interior.



When installing appliance with sliding drawer or drop-down door directly across from obstructions, provide sufficient clearance for drawer extension or door swing.

When installing appliance with sliding drawer or drop-down door adjacent to wall, cabinet, or other obstruction that extends beyond front edge of appliance, allow 2" minimum clearance between drawer or door and obstruction.

Electrolux Major Appliances, N.A.

USA • 10200 David Taylor Drive • Charlotte, NC 28262 • 1-877-4electrolux (1-877-435-3287) • electroluxicon.com
 CANADA • 5855 Terry Fox Way • Mississauga, ON L5V 3E4 • 1-800-265-8352 • electroluxicon.ca

High standards of quality at Electrolux Home Products, Inc. mean we are constantly working to improve our products. We reserve the right to change specifications or discontinue models without notice.