

Over-the-Range Microwave

E30MH65GPS professional series



Automatic Cooking Options

Pre-programmed settings include five Auto Cook categories, five Auto Defrost categories as well as four Microwave Convection options for convenient and easy cooking.



Auto Sensor Cooking

Five Sensor Cook categories and three Sensor One Touch selections allow moisture and humidity to be detected, which adjusts the cooking time and power level for various foods and quantities.



Convection Cooking

Hot air is circulated throughout the oven cavity to brown and crisp foods evenly. Oven can be programmed for ten convection cooking temperatures from 100° to 450°F.



Five-Speed Ventilation

Quick and easy variable fan speed adjustment with the touch of a single button for conditions requiring more control of airflow.

30" OVER-THE-RANGE MICROWAVE

Oven Cavity	1.6 Cu. Ft.
Watts	950
Oven Interior	Stainless Steel
Interior Light	Yes
Cooktop Light w/Touch Control	Yes
Glass Turntable Diameter	13-9/16"

PANEL FEATURES

Electronic Clock & Timer	Yes
2-Line Scroll Cooking Display	Yes
Lock	Yes
Demo Mode	Yes
More/Less Function	9/1
Start/Enter	Yes
Stop/Clear	Yes
Stoppable Turntable	Yes
On/Off Sound Control	Yes
Scroll Speed	Yes
End of Cooking Stage Signal	Yes
Daylight Savings Time	Yes
Power Levels	10
Touch Pad Controls	35

Convenience Options –

Help Directory	Yes
Sensor Cook Categories	5
Sensor One Touch Categories – Baked Potato, Pizza Slice, Popcorn	3
Sensor Reheat Categories	3
Snack Categories	4
Auto Cook Categories	5
Auto Defrost Categories	5
Melt/Soften/Warm Options	Yes
Add 30 Seconds	Yes
Convection Cook (Variable Temperature)	100°– 450°F
Microwave Convection Categories	4
Combination Cook	Yes
Stage Cooking (Cook I & II)	Yes

VENTILATION SYSTEM

Exhaust Duct	Convertible*
5-Speed Exhaust Fan (300 CFM)	Yes
On/Off	Yes
Delay Off	Yes
Auto On - High Speed (2 Level)	Yes
Charcoal Filters (Recirculated Installation) / Grease Filters	1 / 2

POWER RATINGS

Microwave – (Watts@120 Volts)	950
Convection – (Watts@120 Volts)	1600
Amps @ 120 Volts	14.5
Frequency (Mhz)	2450
Voltage Rating	120V / 60Hz/20A
Connected Load (kW Rating) @ 120 Volts‡	1.6

ACCESSORIES

Two-Position Adjustable Rack	Included
------------------------------	----------

SPECIFICATIONS

Oven Cavity Dimensions–	
Height	10-1/4"
Width	20"
Depth	13-11/16"
Overall Exterior Dimensions –	
Height (Including 1/2" Lower Extrusion)	16-7/8"
Width	29-7/8"
Depth	16-1/8"
Power Cord Location	Right Top Rear
Shipping Weight (Approx.)	84 Lbs.

* Ventilation is convertible to be either ducted outside, or recirculated inside requiring no ducting.

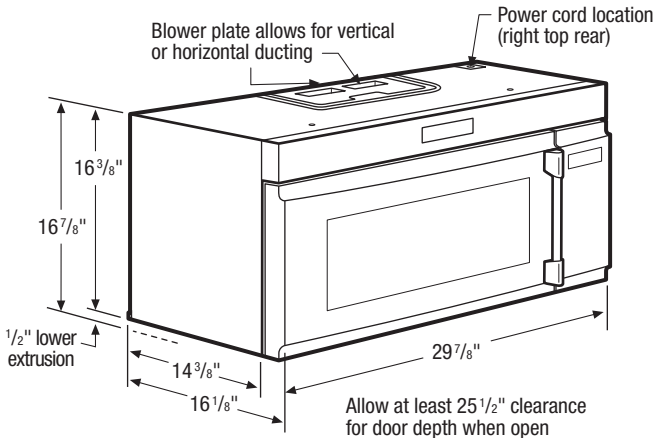
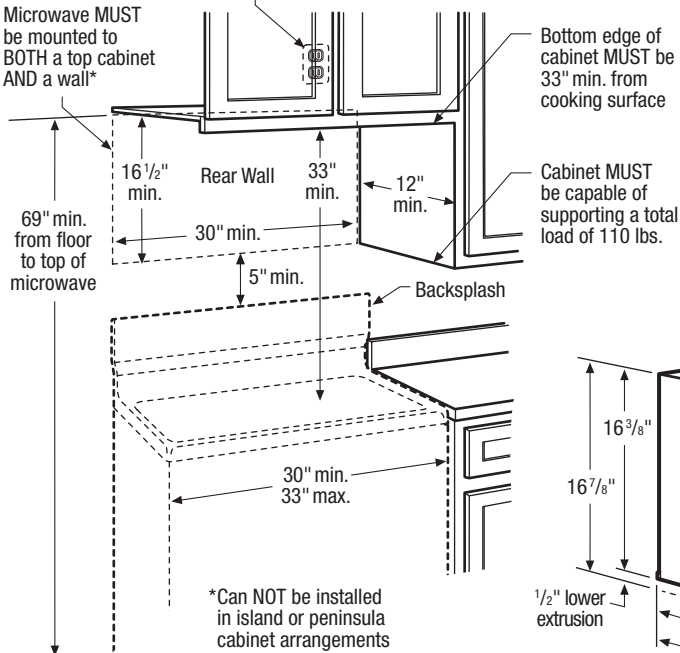
‡ For use on adequately wired 120V, dedicated circuit having 2-wire service with a separate ground wire. Appliance must be grounded for safe operation.

NOTE: Always consult local and/or national electric codes. Refer to Product Installation Guide for detailed installation instructions on the web at electroluxicon.com.

Specifications subject to change.

Locate 120V/60Hz grounded outlet inside upper cabinet

Microwave MUST be mounted to BOTH a top cabinet AND a wall*



30" Over-the-Range Microwave Specifications

- Product Weight – 75 Lbs.
- Voltage Rating – 120V/60Hz/20 Amp
- Connected Load (kW Rating) @ 120 Volts = 1.6kW
(For use on adequately wired 120V, dedicated circuit having 2-wire service with a separate ground wire. Appliance must be grounded for safe operation.)
- Amps @ 120 Volts = 14.5 Amps
- Always consult local and/or national electric codes.
- Grounded outlet should be located in cabinet above, with hole in base to route power cord. Carefully follow top template instructions for power cord clearance when installing beneath smooth, flat cabinets.
- Microwave's ventilation system is convertible, designed for two types of exhaust – outside, using either vertical or horizontal ducting; or recirculating, requiring no ducting.
- For safe and proper installation, microwave MUST be mounted to BOTH a top cabinet AND a wall, and connected to at least one wall stud. Can NOT be installed in island or peninsula cabinet arrangements.
- Cabinet bottom MUST be level to insure proper installation.
- Cabinet MUST be capable of supporting a total load of 110 lbs.
- Filler blocks recommended for installation when cabinet front hangs below recessed bottom shelf.
- Minimum distance of 33" required from cooking surface to bottom edge of top cabinet.
- Minimum distance of 69" required from floor to top of microwave.
- Opening between cabinets MUST be 30" wide and free of obstructions.
- Can only be installed over ranges or cooktops with 33" maximum width.
- Allow 25-1/2" minimum clearance for 90° door swing.

Ducted Option Specifications

- For outside ventilation only.
- Exhaust duct adapter supplied assembled for outside ventilation, designed to mate with standard 3-1/4" x 10" rectangular duct. If round duct required, rectangular-to-round transition adapter will be needed with no less than 6" diameter.
- For most efficient airflow exhaust, use a straight run or as few elbows as possible with maximum duct length of 3-1/4" x 10" rectangular or 6" diameter round duct, not to exceed 140 equivalent feet.
- For horizontal installation, be sure to allow enough space between wall studs to accommodate exhaust.
- Refer to web for detailed duct preparation instructions.

Ductless (Recirculated) Option Specifications

- If ducting to outside is not an option, ventilation system can be converted to ductless to recirculate air inside.
- Refer to web for detailed convertible ventilation installation instructions.

Note: For planning purposes only. Refer to Product Installation Guide on the web at electroluxicon.com for detailed instructions.

Electrolux Major Appliances, N.A.

USA • 250 Bobby Jones Expressway • Augusta, GA 30907 • 1-877-4electrolux (1-877-435-3287) • electroluxicon.com
 CANADA • 5855 Terry Fox Way • Mississauga, ON L5V 3E4 • 1-800-265-8352 • electroluxicon.ca

