

# High-Speed Oven

E30SO75FPS professional series



### Practical, Complementary Design

Stainless steel exterior, sturdy handle on the pull-down door for easy opening and increased placement options.



### Wave-Touch™ Control Panel Technology

A simple touch, anywhere on the panel, lights oven controls and provides access to all oven functions. This allows easy programming while keeping activated functions lighted for easy monitoring.



### Cooking Mode Options

This appliance makes cooking faster, easier and better by combining a high-speed, convection and microwave oven into one versatile package. This high-performance oven allows you to bake, brown, grill or roast with ease.



### High-Speed Cooking Option

Forcing heated air at ultrahigh speeds over the surface of meats, High-Speed Cooking rapidly sears in moisture and flavor and produces a beautifully browned, delicately crisp exterior. When combined with the microwave function, cooking time is reduced by 50%.

### 30" HIGH-SPEED OVEN

Oven Cavity	1.1 Cu. Ft.
Watts (IEC-705 Test Procedure)	1000
Oven Interior	Stainless Steel
Interior Light	Yes
Porcelain Enamel Turntable Diameter	13"

### CONTROL PANEL FEATURES

Electronic Clock & Timer	Yes
Glass Wave-Touch™ Control with Blue LED Display	Yes
Automatic Settings –	
Basic Cook	84
Recipes	100
Microwave Options	17
Speed Bake	Yes
Speed Roast	Yes
Speed Grill	Yes
Convection	Yes

### POWER RATINGS

Microwave (kW/Amps)	1.7/7.5
Convection (kW/Amps)	3.1/13
Speed Cooking (kW/Amps)	3.2/13.5
Voltage Rating	240V/60Hz/15 or 20A
Connected Load (kW Rating) @ 240 Volts	3.3

### ACCESSORIES

Cookbook	Included
High and Low Racks	Included
Pizza Pan	Included
Easy Reference Guide	Included

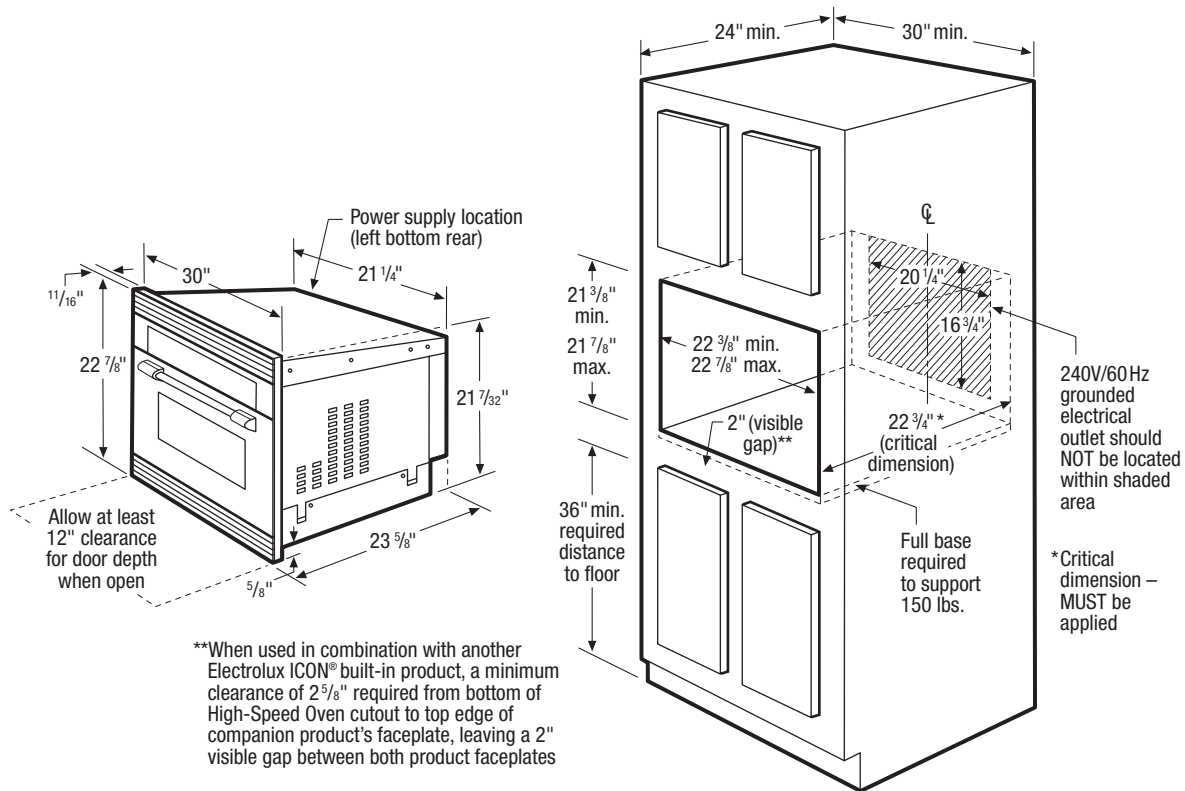
### SPECIFICATIONS

Oven Cavity Dimensions –	
Height	9"
Width	16"
Depth	13-1/2"
Overall Exterior Dimensions –	
Height	22-7/8"
Width	30"
Depth	23-5/8"
Power Supply Location	Left Bottom Rear
Approved for Under-Counter Installation	No
Approved for Single Oven Combination Installation*	Yes
Shipping Weight (Approx.)	119 Lbs.

\*Approved to be used in combination with any Electrolux ICON® Single Wall Oven and/or Warmer Drawer.

NOTE: Always consult local and/or national electric codes. Refer to Product Installation Guide for detailed installation instructions on the web at [electroluxicon.com](http://electroluxicon.com).

Specifications subject to change.



## 30" High-Speed Oven Specifications

- Product Weight – 115 Lbs.
- Voltage Rating – 240V / 60Hz / 15 or 20 Amps
- Single phase 3- or 4-wire cable, 240 Volt, 60 Hertz AC only electrical supply with ground required on separate circuit fused on both sides of line.
- Connected Load (kW Rating) @ 240 Volts = 3.3kW
- Amps @ 240 Volts = 13.2 Amps
- Oven has a 6-15 plug, requiring a 6-15 receptacle.
- Always consult local and/or national electric codes.
- Allow at least 12" clearance for oven door depth when open.
- Minimum 22-3/4" deep cutout dimension is critical for proper installation, to ensure that oven's faceplate will fit flush against cabinet front.
- Full oven base of solid plywood or similar material required, capable of supporting 150 Lbs.

- Base must be level and cabinet front must be square.
- Grounded outlet should NOT be located in shaded area, as indicated.
- High-Speed Oven is NOT approved to be used under counter.
- High-Speed Oven can be built in alone or is approved to be used in combination with any Electrolux ICON® Single Wall Oven and/or Warmer Drawer. (Refer to model-specific Combination Installation Specification pages on web.)
- When used in combination with another Electrolux ICON® built-in product, a minimum clearance of 2-5/8" required from bottom of High-Speed Oven cutout to top edge of companion product's faceplate, leaving a 2" visible gap between both product faceplates.

**Note: For planning purposes only. Refer to Product Installation Guide on the web at [electroluxicon.com](http://electroluxicon.com) for detailed instructions.**

## Electrolux Major Appliances, N.A.

USA • 250 Bobby Jones Expressway • Augusta, GA 30907 • 1-877-4electrolux (1-877-435-3287) • [electroluxicon.com](http://electroluxicon.com)  
 CANADA • 5855 Terry Fox Way • Mississauga, ON L5V 3E4 • 1-800-265-8352 • [electroluxicon.ca](http://electroluxicon.ca)