

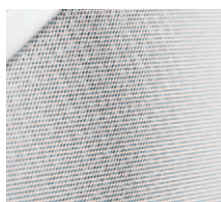
# Island Vent Hood

E40PV100FS



### Three-Speed, Dual-Centrifugal Blower

The 1,000 CFM fan provides ample power to remove the most persistent food and cooking aromas.



### Washable Stainless Steel Filters

Saturated filters can be rinsed and cycled through the dishwasher. The stainless steel filter provides strength and durability not found in foam filters.



### Quad Halogen Lighting

Four overhead halogen bulbs evenly illuminate the cooking surface and provide abundant light to enhance the cooking experience.



### Intelligent Heat Sensor

The ventilation system that is designed to work in concert with your cooktop or range. As the cooking surface temperature increases, the blower fan automatically starts.

## 40" ISLAND VENT HOOD

### FEATURES

Installation Type	Island / Peninsula Ceiling Mount
Intelligent Heat Sensor	Yes
Air Discharge	Vertical
Air Delivery (CFM)	1000
Blower Type	Dual Centrifugal
Controls	Std. Slide Controls
Fan Speeds	3
Sound Level (dBA)	63.2
Halogen Lights	Yes
Washable Stainless Steel Filters	Yes
Filter Saturation LED Indicator	Yes
Exhaust Duct	External
Duct Required	8" Round

### ACCESSORIES

Flue Extension – 32-11/16" PN# EXPV100S	Optional
---	----------

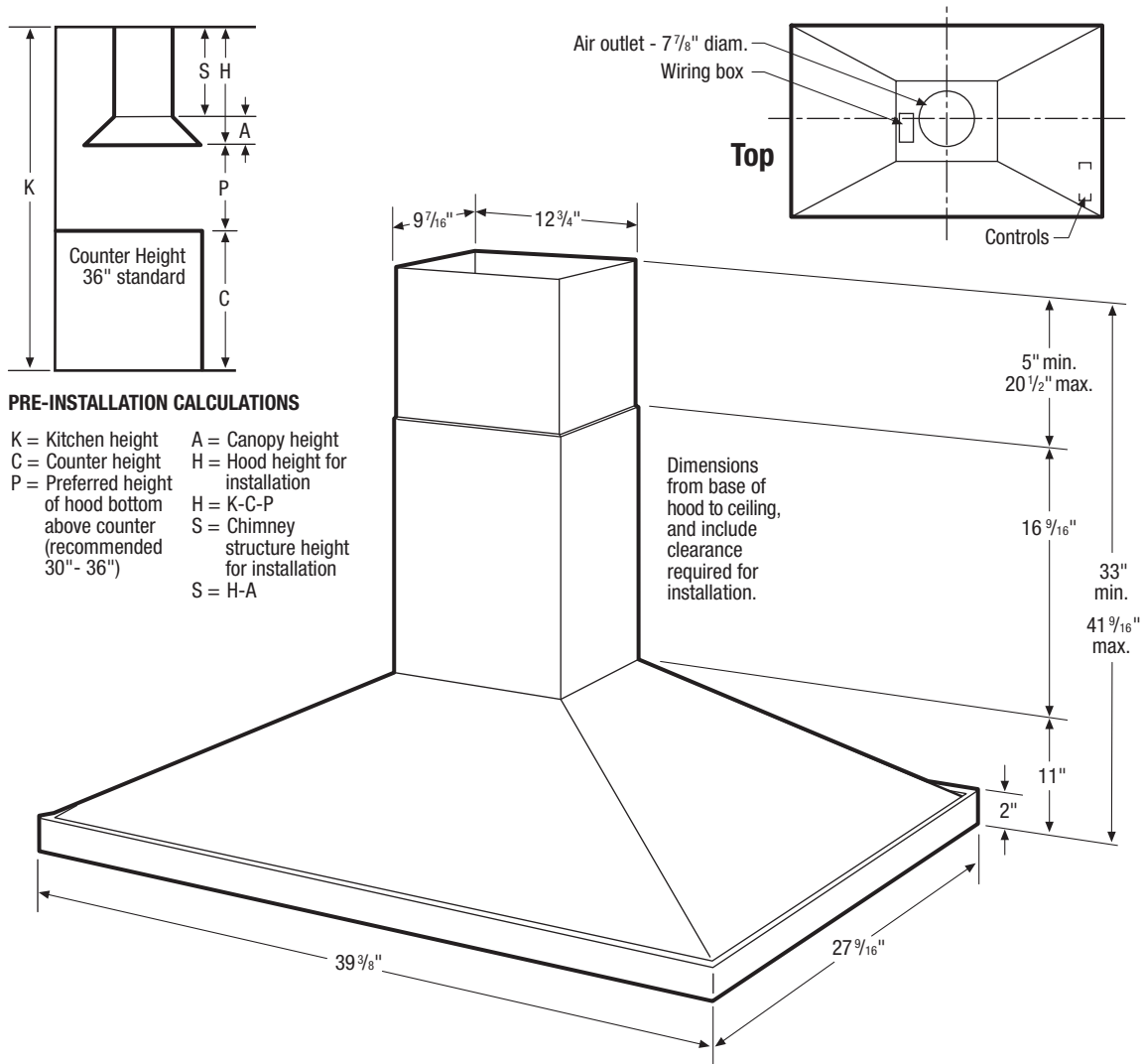
### SPECIFICATIONS

Overall Exterior Dimensions –	
Height (With One Cover) (With Flue Extension)	27-9/16" min. 33" min. 41-9/16" max.
Width	39-3/8"
Depth	27-9/16"
Voltage Rating	120V/60Hz/15A
Connected Load (kW Rating) @ 120 Volts <sup>†</sup>	0.72
Power Supply Location (Within Flue Adjacent to Bottom of Air Outlet)	Enters Flue Top at Left
Shipping Weight (Approx.)	108 Lbs.
Sones Rating	11.5

<sup>†</sup> For use on adequately wired 120V, dedicated circuit having 2-wire service with a separate ground wire. Appliance must be grounded for safe operation.

NOTE: Always consult local and national electric codes. Refer to Product Installation Guide for detailed installation instructions on the web at [electroluxicon.com](http://electroluxicon.com).

Specifications subject to change.



## 40" Island Vent Hood Specifications

- Product Weight – 90 Lbs.
- Island/Peninsula Ceiling-Mount Installation
- Sones Rating – 11.5
- Voltage Rating – 120V/ 60Hz/ 15 Amps
- Connected Load (kW Rating) @ 120 Volts = 0.72kW (For use on adequately wired 120V, dedicated circuit having 2-wire service with a separate ground wire. Appliance must be grounded for safe operation.)
- Amps @ 120 Volts = 6.26 Amps
- Always consult local and national electric codes. Check local building codes for installation requirements, as they may vary per locale.
- To prepare mounting surface, installation of supports required above ceiling drywall.
- Vent unit outside of building only.
- Exhaust Duct Required – 8" round
- For most efficient airflow exhaust, use a straight run or as few elbows as possible.
- Use metallic flex ducting only to connect rigid duct directly to transitions (if allowed by code).

- Thermal breaks such as short section of nonmetallic duct, should be used in areas of extreme cold.
- Cold weather installations should have additional backdraft damper installed.
- For most efficient operation, position hood low to cooktop. Recommended installation is 30" - 36" above countertop.

### Pre-Installation Calculations

- Select hood preference height (P) that is comfortable for user (30"-36" recommended, 24"-36" allowed).
- Calculate hood height (H) for installation (H = K - C - P).
- Confirm that (H) is within minimum to maximum range for hood. If not, adjust installation.
- Calculate chimney structure height (S). Use formulas, check dimensions of hood. Save calculation for use later in installation.

**Note: For planning purposes only. Refer to Product Installation Guide on the web at [electroluxicon.com](http://electroluxicon.com) for detailed instructions.**

### Optional Accessories

- 32-11/16" Flue Extension – (PN# EXPV100S).

## Electrolux Major Appliances, N.A.

USA • 250 Bobby Jones Expressway • Augusta, GA 30907 • 1-877-4electrolux (1-877-435-3287) • [electroluxicon.com](http://electroluxicon.com)  
 CANADA • 5855 Terry Fox Way • Mississauga, ON L5V 3E4 • 1-800-265-8352 • [electroluxicon.ca](http://electroluxicon.ca)

