

# Dual-Fuel Freestanding Range

E48DF76EPS professional series



### Smooth-Glide™ Oven Racks

Fully extending oven racks with a centered easy-grip handle make access to oven contents safe and easy. Patented ball bearing rack system allows racks to glide effortlessly.



### Six Sealed Burners

Designed for cooking multiple dishes at varying temperatures, with two 17,000 BTU Sealed Power Burners™, two 15,000 BTU Sealed Burners and two 8,500 BTU - 850 BTU Precision Burners™ on a single rangetop.



### Convenient Second Oven

Bake bread by convection in one oven, cook a roast conventionally in the other. The self-cleaning, cobalt blue double oven provides capacity and flexibility.



### Third Element European Convection System

By adding a third cooking element and a convection fan, heat is distributed evenly throughout the oven. Cooking every meal to perfection has never been easier.

## 48" DUAL-FUEL FREESTANDING RANGE

### CONTROL PANEL FEATURES

Electronic Oven Control	Yes
Professional-Style Stainless Steel Console	Yes
Large Professional Skirted Knobs with Bezel	10

### RANGETOP FEATURES

Sealed Power Burner™ (BTU)	2 (17,000) 2 (15,000)
Sealed Precision Burner™ (BTU)	2 (8,500 - 850)
Continuous Grates	3
Electronic Ignition with Auto Re-Ignition	Yes

### LARGE OVEN CAVITY FEATURES

Capacity	4.6 Cu. Ft.
Bake Element (Watts)/Broil Element (Watts)	3400/4000
Convection Element (Watts)	2200
Third Element European Convection System	Yes
Self-Clean with Door Lock	Yes
Halogen Oven Light	2
Eight-Pass Bake & Broil	Yes
Smooth-Glide™ Racks	3
Conventional Rack	1

### SMALL OVEN CAVITY FEATURES

Capacity	2.6 Cu. Ft.
Bake Element (Watts)/Broil Element (Watts)	2100/3000
Convection Element (Watts)	2200
Self-Clean with Door Lock	Yes
Halogen Oven Light	1
Heavy-Duty Oven Racks	2

### ADDITIONAL FEATURES

Stainless Steel Backsplash	3"
Full Stainless Steel Side Panels	Yes
Professional Handle	Yes
Fully Adjustable, Heavy-Duty Legs	Yes

### ACCESSORIES

Broil Pan and Insert	Included
Stainless Steel Cleaner	Included
Griddle	Included
Wok Ring	Included
Simmer Plate	Included
9" Stainless Steel Backsplash – PN# ACCBG09-48	Optional
2-1/2" Stainless Steel Kick Plate – PN# KIKPLT48	Optional
Black Gas Valve Knob – PN# 318313302	Optional
Black Oven Temperature Knob – PN# 318365501	Optional
Black Oven Selector Knob – PN# 318365601	Optional

### SPECIFICATIONS

Large Oven Cavity Dimensions –	
Height	15"
Width	27"
Depth	21"
Small Oven Cavity Dimensions –	
Height	15"
Width	15"
Depth	21"
Product Dimensions –	
Height (Including Adjustable Legs)	38-1/2 – 41-5/8"
Width	47-15/16"
Depth (Including Handle)	31"
Gas Supply Connection Location	Right Bottom Rear
Power Supply Connection Location	Right Bottom Rear
Amps	42 @ 240 Volts
Minimum Circuit Required (Amps)	50
Connected Load (kW Rating)	10.0 @ 240 Volts
LP Gas Conversion Kit	Included
Shipping Weight (Approx.)	600 Lbs.

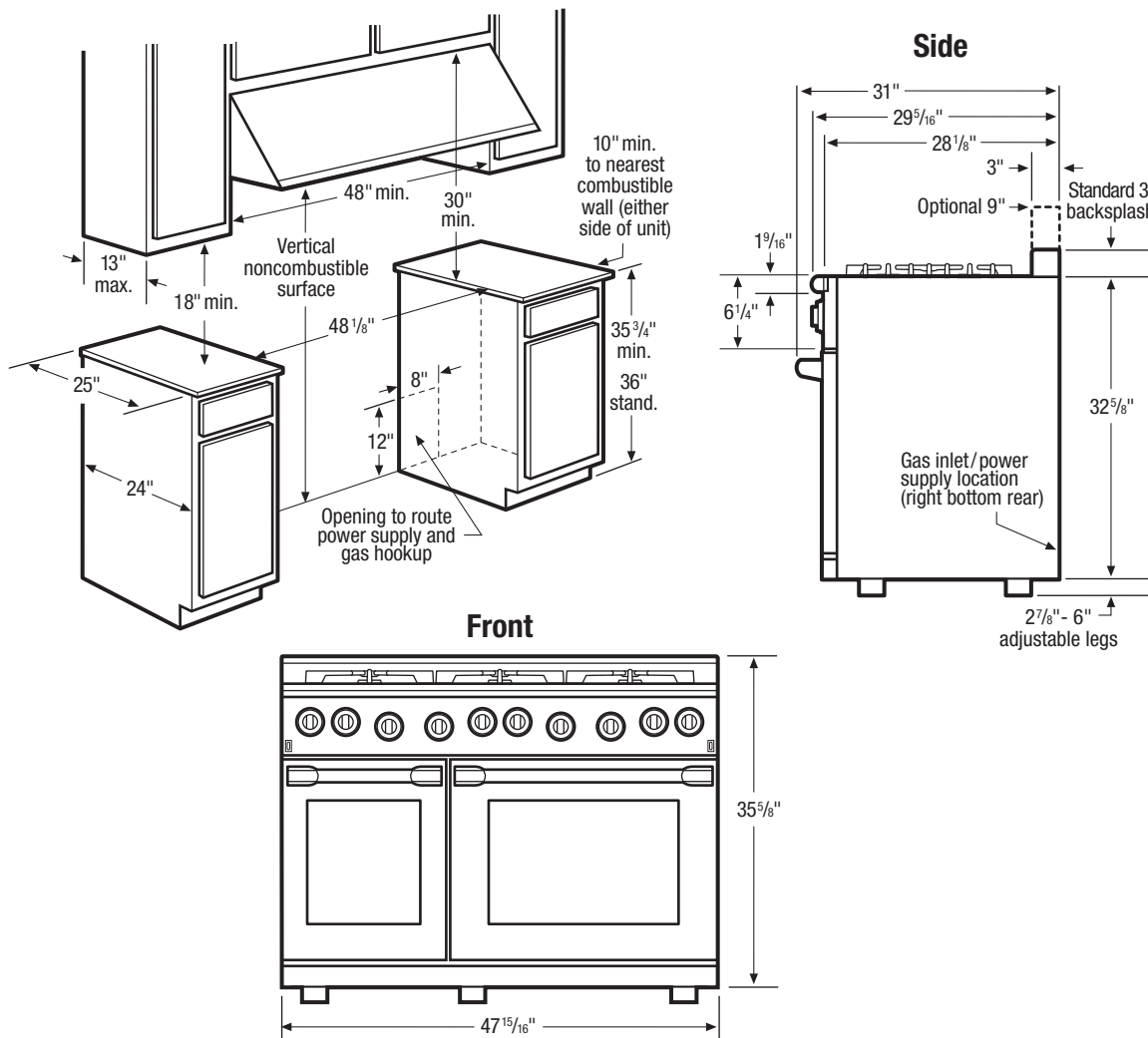
NOTE: Always consult local and national electric and gas codes. Refer to Product Installation Guide for detailed installation instructions on the web at [electroluxicon.com](http://electroluxicon.com).

Specifications subject to change.

# Dual-Fuel Freestanding Range

E48DF76EPS professional series

Electrolux | ICON®



## 48" Dual-Fuel Freestanding Range Specifications

- Product Weight – 540 Lbs.
- Electrical Requirements – 240 Volts, 4-wire, 60 Hertz, 50-Amp Dedicated Circuit
- Connected Load (kW Rating) @ 240 Volts = 10.0kW
- Amps @ 240 Volts = 42 Amps
- Always consult local and national electric and gas codes.
- Range ships with 3/4" factory regulator.
- LP Gas conversion kit supplied.
- Overhead cabinetry should not exceed a 13" maximum depth.
- Allow 30" minimum clearance between top of rangetop and bottom of unprotected wood or metal overhead cabinetry.
- Absolute minimum horizontal distance between overhead cabinets installed to either side of appliance must be no less than maximum width of appliance.
- Allow 10" minimum clearance from edge of rangetop to nearest combustible wall on either side of unit.

- Allow 24" minimum clearance when bottom of wood or metal overhead cabinet is protected by not less than 1/8" flame-retardant millboard covered with not less than No.28 MGS sheet steel, 0.015" stainless steel, 0.024" aluminum or 0.020" copper.
- To reduce risk of fire when using overhead cabinetry, install vent hood that projects horizontally a recommended minimum of 5" beyond bottom of cabinets.

**Note:** For planning purposes only. Refer to Product Installation Guide on the web at [electroluxicon.com](http://electroluxicon.com) for detailed instructions.

## Optional Accessories

- 9" Stainless Steel Backsplash – (PN # ACCBG09-48).
- 2-1/2" Stainless Steel Kick Plate – (PN # KIKPLT48).
- Black Gas Valve Knob – (PN # 318313302).
- Black Oven Temperature Knob – (PN # 318365501).
- Black Oven Selector Knob – (PN # 318365601).

## Electrolux Major Appliances, N.A.

USA • 250 Bobby Jones Expressway • Augusta, GA 30907 • 1-877-4electrolux (1-877-435-3287) • [electroluxicon.com](http://electroluxicon.com)  
 CANADA • 5855 Terry Fox Way • Mississauga, ON L5V 3E4 • 1-800-265-8352 • [electroluxicon.ca](http://electroluxicon.ca)

E48DF76EPS 03/10

© 2010 Electrolux Home Products, Inc.



High standards of quality at Electrolux Home Products, Inc. mean we are constantly working to improve our products. We reserve the right to change specifications or discontinue models without notice.

Printed in the U.S.A.