

Gas Slide-In Cooktop

E48GC76EPS



Six Sealed Burners

Designed for cooking multiple dishes at varying temperatures, with two 17,000 and two 15,000 BTU Sealed Power Burners™, and two 8,500 BTU - 850 BTU Precision Burners™ on a single cooktop.



Continuous Grates

Continuous grates spread weight over a broad area, providing an ultrastable cook surface.



Sealed Cooktop Spill-Basin

Cleanup is convenient with a black porcelain-coated area beneath the burners to catch spills.



Vantage Flame™

The automatic re-ignition feature allows the ignitors to spark spontaneously should the flame go out or become severely distorted by a draft, providing ease-of-mind while cooking.

48" GAS SLIDE-IN COOKTOP

Configuration	6 Sealed Burners
---------------	------------------

FEATURES

Formed Stainless Steel Platform	Yes
Large Professional Skirted Knobs with Bezel	6
Min-2-Max™ Sealed Burner (BTU)	
Sealed Power Burner™ (BTU)	2 (17,000) 2 (15,000)
Sealed Precision Burner™ (BTU)	2 (8,500 – 850)
Linear Flow Burner Valves	6
Electronic Ignition with Auto Re-Ignition	Yes
Continuous Grates	3

ACCESSORIES

Griddle	Included
Wok Ring	Included
Simmer Plate	Included
9" Stainless Steel Backsplash – PN# ACCBG09-48SI	Optional
Black Gas Valve Knob – PN# 318313302	Optional

SPECIFICATIONS

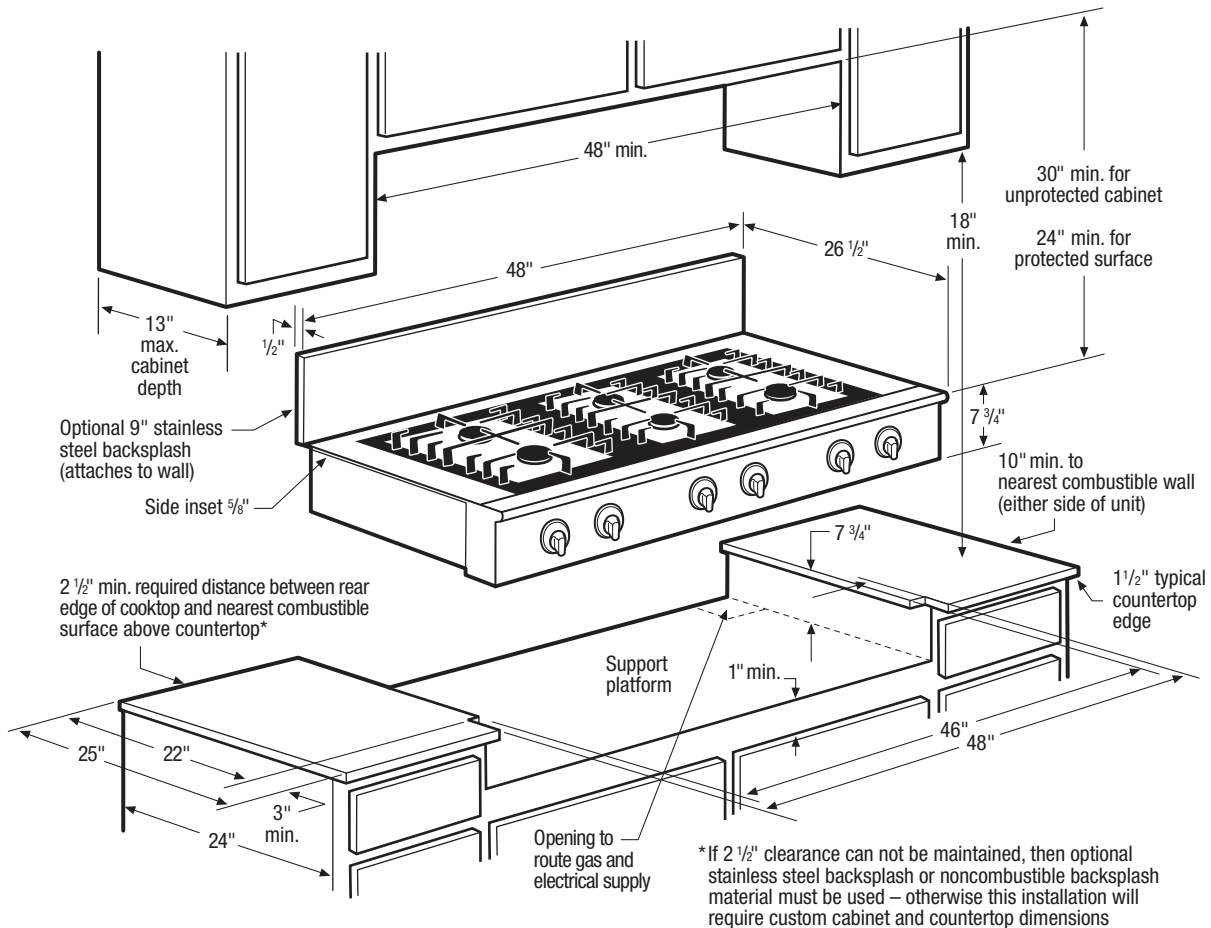
Overall Exterior Dimensions –	
Height	7-3/4"
Width	48"
Depth	26-1/2"
Gas Inlet/Power Supply Location	Right Rear
LP Gas Conversion Kit	Included
Voltage Rating	120V/60Hz/15A
Connected Load (kW Rating) @ 120 Volts†	0.03
Electrical Cable	Included
Approved for Single Oven Combination Installation*	No
Shipping Weight (Approx.)	200 Lbs.

† For use on adequately wired 120V, dedicated circuit having 2-wire service with a separate ground wire. Appliance must be grounded for safe operation.

* Not approved to be used over any Electrolux ICON® Single Wall Oven.

NOTE: Always consult local and national electric and gas codes. Refer to Product Installation Guide for detailed installation instructions on the web at electroluxicon.com.

Specifications subject to change.



48" Gas Slide-In Cooktop Specifications

- Product Weight – 190 Lbs.
- Voltage Rating – 120V/ 60Hz/ 15 Amps
- Connected Load (kW Rating) @ 120 Volts = 0.03kW
(For use on adequately wired 120V, dedicated circuit having 2-wire service with a separate ground wire. Appliance must be grounded for safe operation.)
- Amps @ 120 Volts = 0.25 Amps
- Always consult local and national electric and gas codes.
- Cooktop ships with 3/4" factory regulator.
- LP Gas conversion kit supplied.
- Plan installation to have electrical connection, gas shutoff valve, and pressure regulator accessible from front of cabinet. Locate 120V grounded outlet and gas supply in a 30"W x 15-1/2"H area on rear wall, 10" above floor and 6" to right from center of cooktop.
- Overhead cabinetry should not exceed a 13" maximum depth.
- Allow 30" minimum clearance between top of cooktop and bottom of unprotected wood or metal overhead cabinetry.
- Absolute minimum horizontal distance between overhead cabinets installed to either side of appliance must be no less than maximum width of appliance.
- Allow 24" minimum clearance when bottom of wood or metal overhead cabinet is protected by not less than 1/8" flame-retardant millboard covered with not less than No.28 MGS sheet steel, 0.015" stainless steel, 0.024" aluminum or 0.020" copper.
- Allow 2-1/2" minimum clearance between rear edge of cooktop and nearest combustible surface above countertop. If required clearance cannot be maintained, then optional stainless steel backsplash or noncombustible backsplash material must be used – otherwise installation will require custom cabinet and countertop dimensions.
- Allow 10" minimum clearance from edge of cooktop to nearest combustible wall on either side of unit.
- It is recommended that drawers not be used beneath cooktop.
- To reduce risk of fire when using overhead cabinetry, install vent hood that projects horizontally a recommended minimum of 5" beyond bottom of cabinets.
- Gas Slide-In Cooktop model E48GC76EPS is NOT approved to be used over any Electrolux ICON® Single Wall Oven.

Note: For planning purposes only. Refer to Product Installation Guide on the web at electroluxicon.com for detailed instructions.

Optional Accessories

- 9" Stainless Steel Backsplash – (PN# ACCBG09-48SI).
- Black Gas Valve Knob – (PN# 318313302).

Electrolux Major Appliances, N.A.

USA • 250 Bobby Jones Expressway • Augusta, GA 30907 • 1-877-4electrolux (1-877-435-3287) • electroluxicon.com
CANADA • 5855 Terry Fox Way • Mississauga, ON L5V 3E4 • 1-800-265-8352 • electroluxicon.ca

