

# Built-In All Freezer

E32AF75FPS professional series



## Built-In Side-by-Side Configuration



Shown with companion, All-Refrigerator model E32AR7FPS and optional coordinated Double Louvered Trim Kit (DUORSRKIT).

Shown with optional coordinated Single Louvered Trim Kit (SFRRSRKIT).



### PureAdvantage® Air Filtration System

Continuously filters the circulated air to maintain a fresher, cleaner interior. A status light alerts when the filter needs to be replaced, then with one touch, the filter exchange is made simple and easy.



### Theatre Lighting

Transition lighting that is so thoughtfully designed that it gradually illuminates the interior of the freezer with soft but ample light.



### Smooth-Glide™ Full-Extension System

Freezer storage drawers slide in and out with ease, extending completely for convenient access to stored food.



### Tilt-Out Wire Door Bins

Help you store a variety of frozen food items in a smaller space.

## BUILT-IN ALL FREEZER

### CAPACITIES

Total Capacity	16.8 Cu. Ft.
Total Shelf Area	17 Sq. Ft.

### INTERIOR CONVENIENCES

PureAdvantage® Air Filter	Yes
SpillSafe™ Sliding Glass Shelves	3
Fixed Glass Shelf	1
Smooth-Glide™ Full-Extension Storage Drawers	2
3-Position Adjustable Storage Drawer Dividers (per Drawer)	2
Tilt-Out Tall Door Wire Bin	1
Tilt-Out Short Door Wire Bins	2
White Adjustable Door Bins	2
Interior Light with Dual 40W Short Blue Bulbs	Yes
Theatre Lighting	Yes
Mid-Level Lighting with Dual 25W Short Blue Bulbs	Yes
Dynamic Cool™ Digital Temperature Control System	Yes
Ice Maker*	Yes
Door Closer	Yes
UltraQuiet™ Sound Package	Yes

### ADDITIONAL FEATURES

ENERGY STAR®	Yes
--------------	-----

### ACCESSORIES

Single Louvered Trim Kit – PN# SFRRSRKIT	Optional
Double Louvered Trim Kit – PN# DUORSRKIT	Optional

### SPECIFICATIONS

Overall Exterior Dimensions –	
Height – Not Including 21/32" hinge cover (Cabinet)	65-1/8"
(Cabinet Including Optional Trim Kit Riser)	69-1/4" min. 70-1/4" max.
Width	32"
Depth (Including Door)	26-3/4"
(with 90° Door Open)	57-1/4"
Voltage Rating	115V/60 Hz/15 or 20A
Connected Load (kW Rating) @ 115 Volts†	0.55
Power Cord Location	Right Bottom Rear
Water Inlet Location	Left Bottom Rear
Shipping Weight (Approx.)	297 Lbs.

\* Water filtration for All Freezer ice maker located in All Refrigerator.

† An electrical supply with grounded three-prong receptacle is required. The power supply circuit must be installed in accordance with current edition of National Electrical Code (NFPA 70) and local codes & ordinances.

NOTE: Always consult local and national electric and plumbing codes. Refer to Product Installation Guide for detailed installation instructions on the web at [electroluxicon.com](http://electroluxicon.com).

Specifications subject to change.

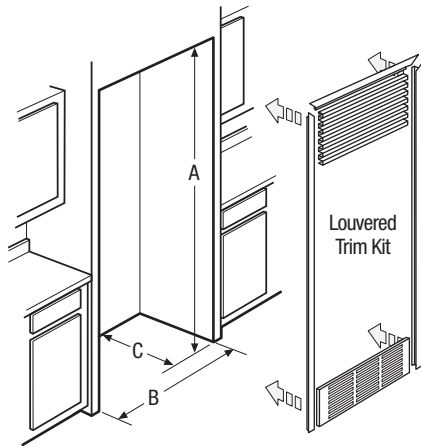
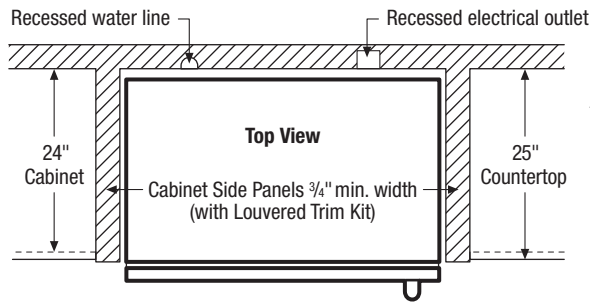
## Optional Trim Kits

### Single Louvered Trim Kit (SFRRSRKIT)

For single All-Freezer installation. Includes louvered top grille and vented, louvered toe kick, 4" riser with leveling system and side/top trim pieces.

### Double Louvered Trim Kit (DUORSRKIT)

For All-Freezer/All-Refrigerator side-by-side installation. Includes full-width, louvered top grille and vented, louvered toe kick, two 4" risers with leveling systems and side/top trim pieces.



### Cutout Dimensions

#### Built-In All Freezer (without Trim Kit & Riser)

**Single Unit Installation**  
(A) 66" (B) 33" (C) 25 1/4" min.\*

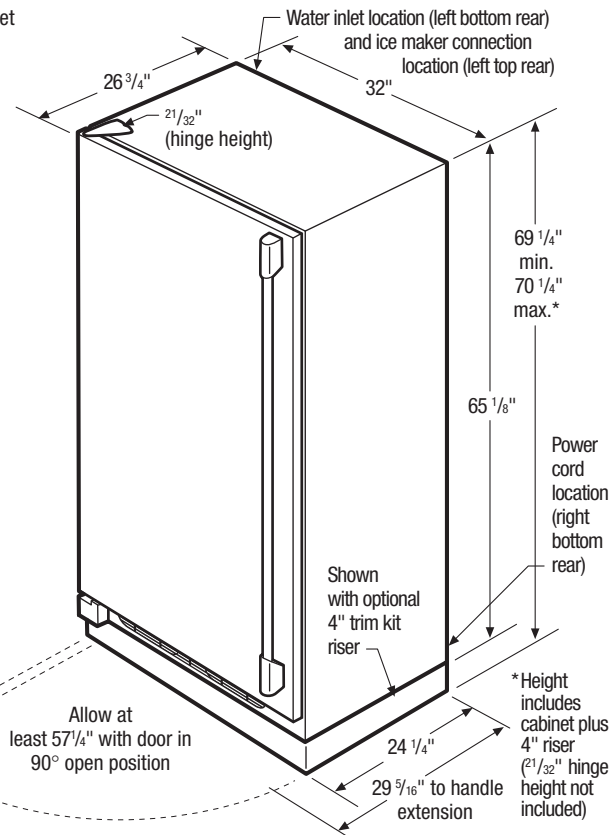
**Double Unit  
Side-by-Side Installation**  
(A) 66" (B) 66" (C) 25 1/4" min.\*

#### Built-In All Freezer (with Louvered Trim Kit & Riser)

**Single Unit Installation**  
(A) 79" (B) 33" (C) 25 1/4" min.\*

**Double Unit  
Side-by-Side Installation**  
(A) 79" (B) 66" (C) 25 1/4" min.\*

\*Minimum depth from face of cabinet side panels and requires recessed electrical outlet and water line.



**Note:** Optional Louvered Trim Kits available for Built-In All Freezer. For specifications, refer to Louvered Trim Kits Installation page on web.

### 32" Built-In All-Freezer Specifications

- Product Weight – approx. 266 Lbs.
- An electrical supply with grounded three-prong receptacle is required. The power supply circuit must be installed in accordance with current edition of National Electrical Code (NFPA 70) and local codes & ordinances.
- Voltage Rating – 115V/60 Hz/15 or 20 Amps
- Connected Load (kW Rating) @ 115 Volts = 0.55kW
- Amps @ 115 Volts = 5 Amps
- Always consult local and national electric & plumbing codes.
- Minimum opening of 66" H x 33" W x 25-1/4" D required for single-unit "Built-In Look" installation; 66" W required for double-unit installation. (66" H to be measured from finished floor to underside of soffit or overhead cabinet.)
- Remove all wall/floor molding prior to built-in installation.
- Water filter system for ice maker is located in All-Refrigerator model E32AR7FPS. For side-by-side installation, refer to web for details on ice maker water supply hookup. If All-Freezer unit is to be installed alone, direct plumbing recommended.
- Minimum 25-1/4" depth requires recessed electrical outlet and copper water line.

- Water line can enter opening through floor or rear wall. Copper tubing recommended between cold water line and water connection location. Water line tubing recommended is 48" minimum length by 1/4" diameter. Installation of easily accessible shutoff valve in water line required.
- To allow for ease of moving out side-by-side units after installation, 84" minimum length of coiled copper tubing recommended.
- When installing next to wall where handle may make contact, allow 4" minimum clearance for 90° door swing. At 90° door stop position, drawer access will be maintained but removal will be restricted.
- Freezer must be placed on level surface of hard material, same height as flooring. Surface must support approximately 600 lbs. when fully loaded. Unit equipped with 4-point leveling.
- If optional Single or Double Louvered Trim Kit is to be used, different cutout dimensions are required. (Refer to cutout dimensions on this page and to Louvered Trim Kits Installation Specifications page on web.)

**Note:** For planning purposes only. Refer to Product Installation Guide on the web at [electroluxicon.com](http://electroluxicon.com) for detailed instructions.

#### Optional Accessories

- Single Louvered Trim Kit – (PN# SFRRSRKIT).
- Double Louvered Trim Kit – (PN# DUORSRKIT).